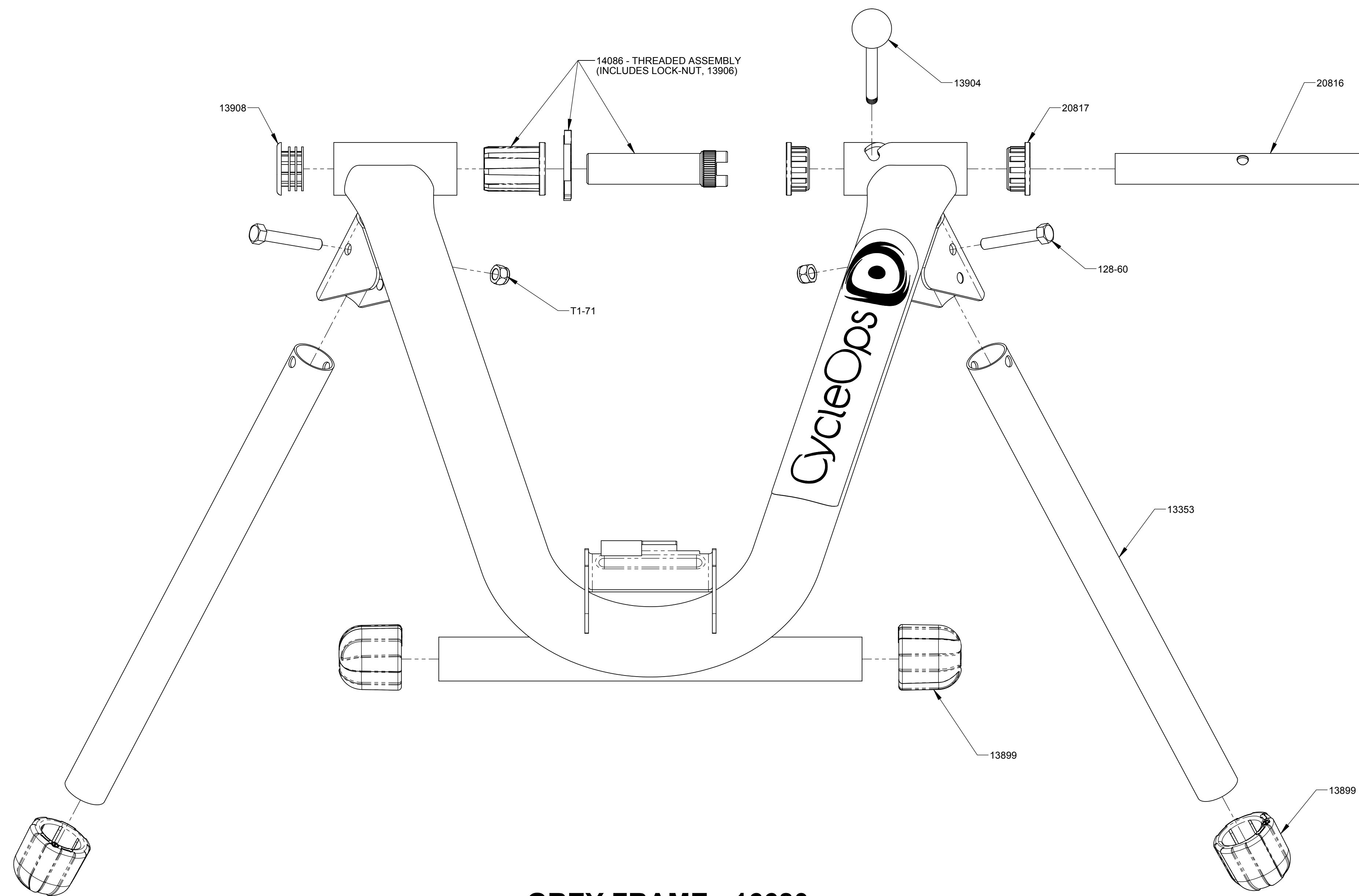
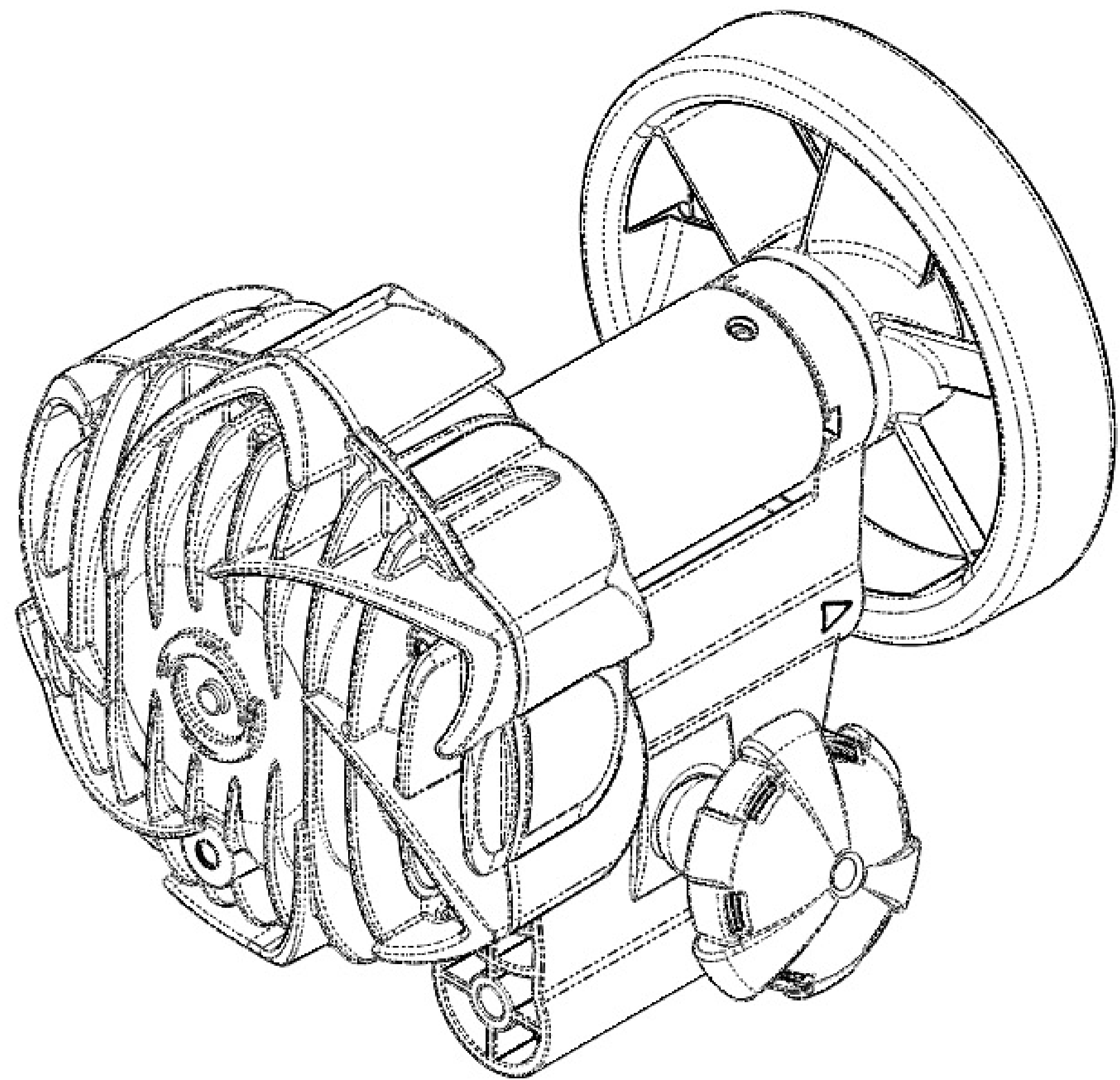


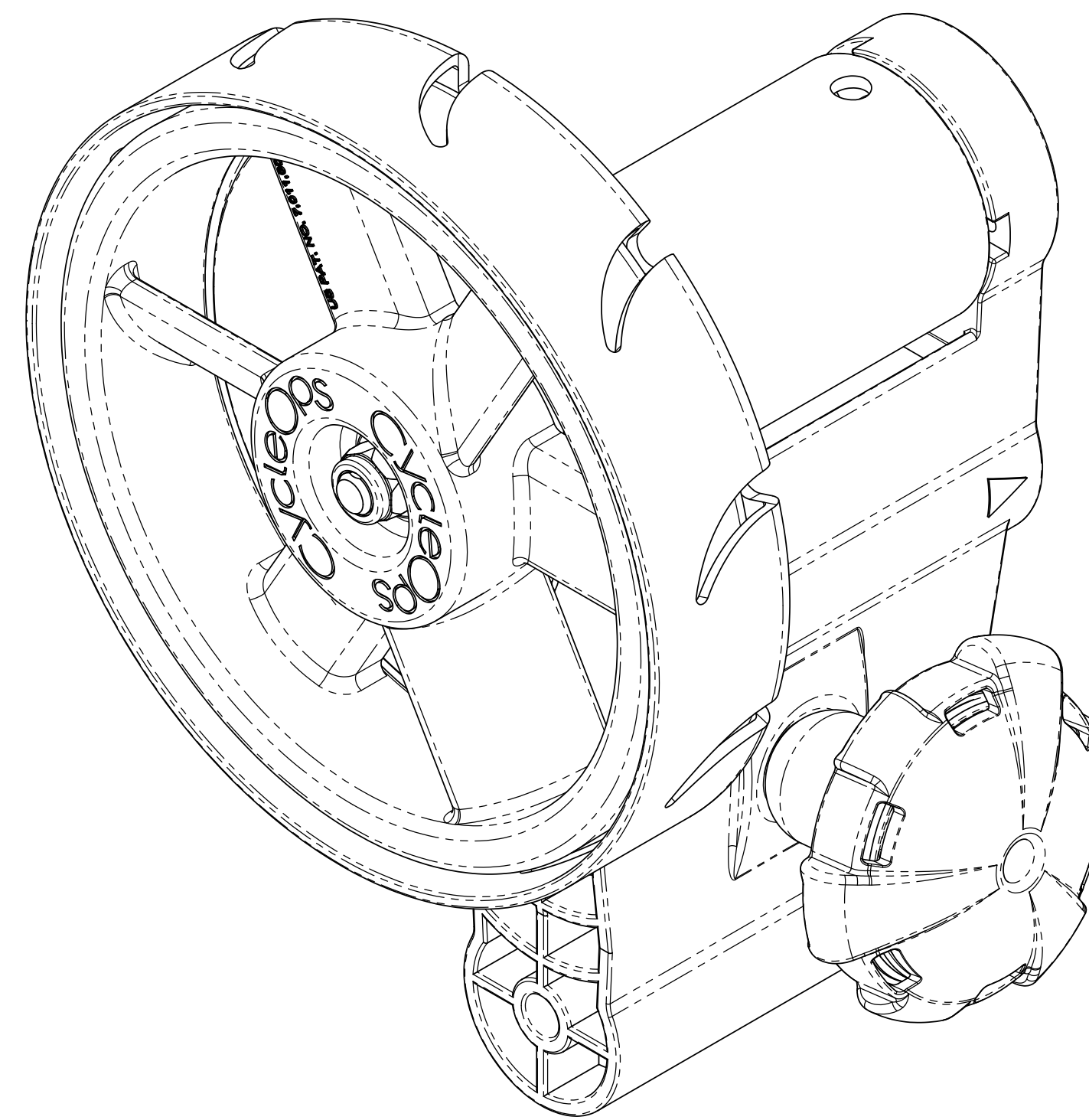
BLACK FRAME - 21700



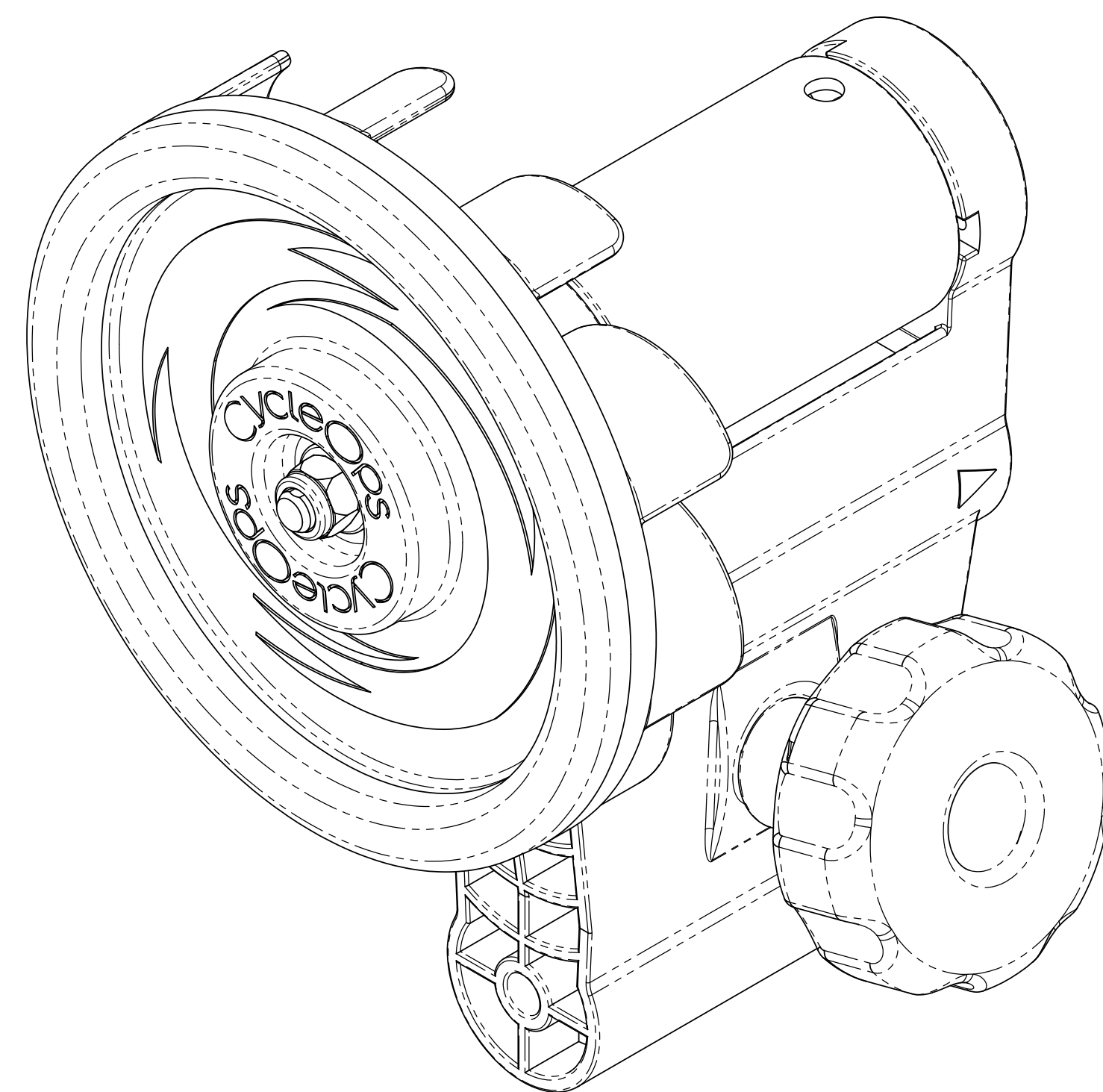
GREY FRAME - 16680



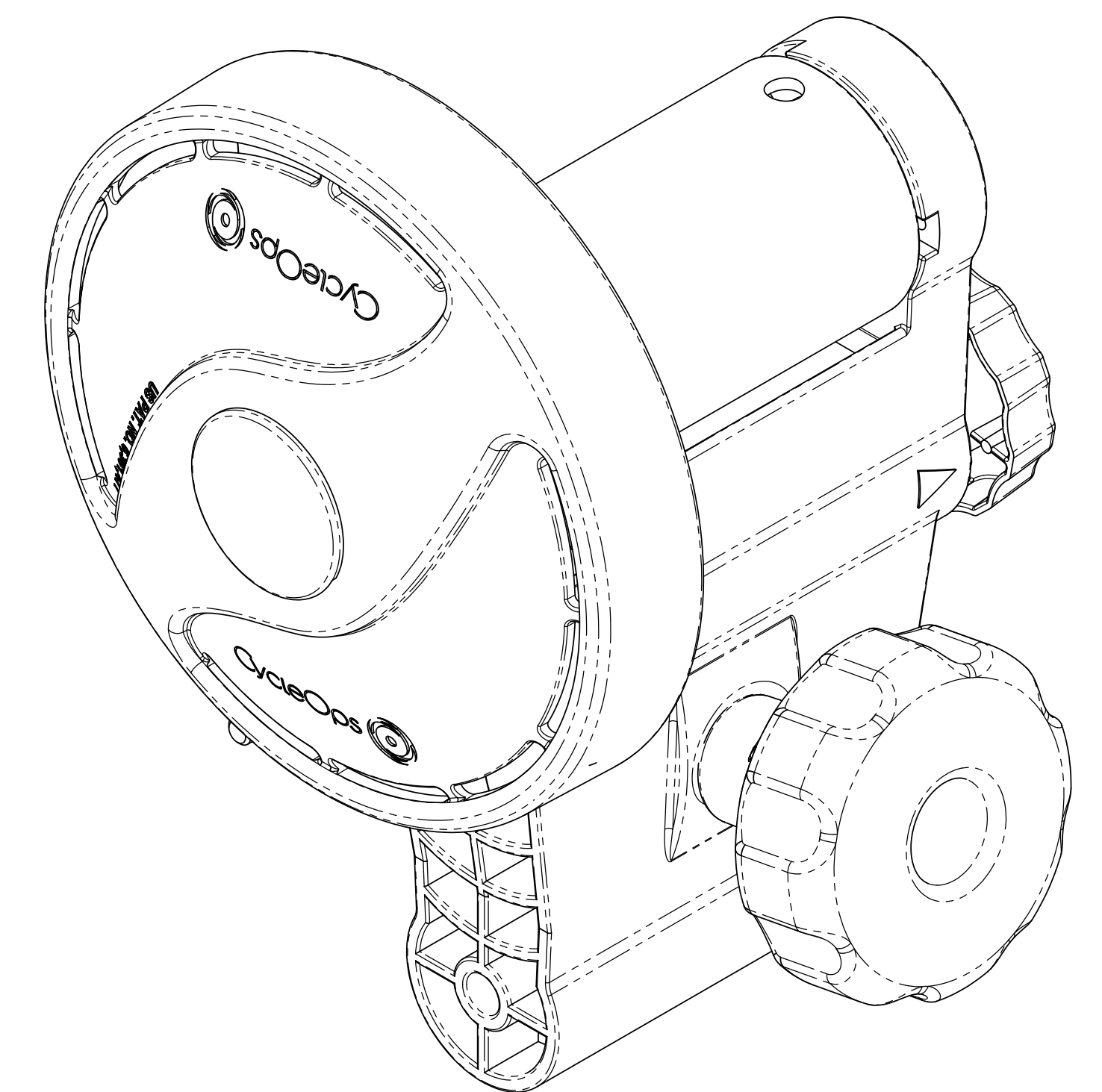
**FLUID2 RESISTANCE UNIT
22014**



**MAGNETO RESISTANCE UNIT
22013**



**WIND RESISTANCE UNIT
22011**



**MAG RESISTANCE UNIT
22012**

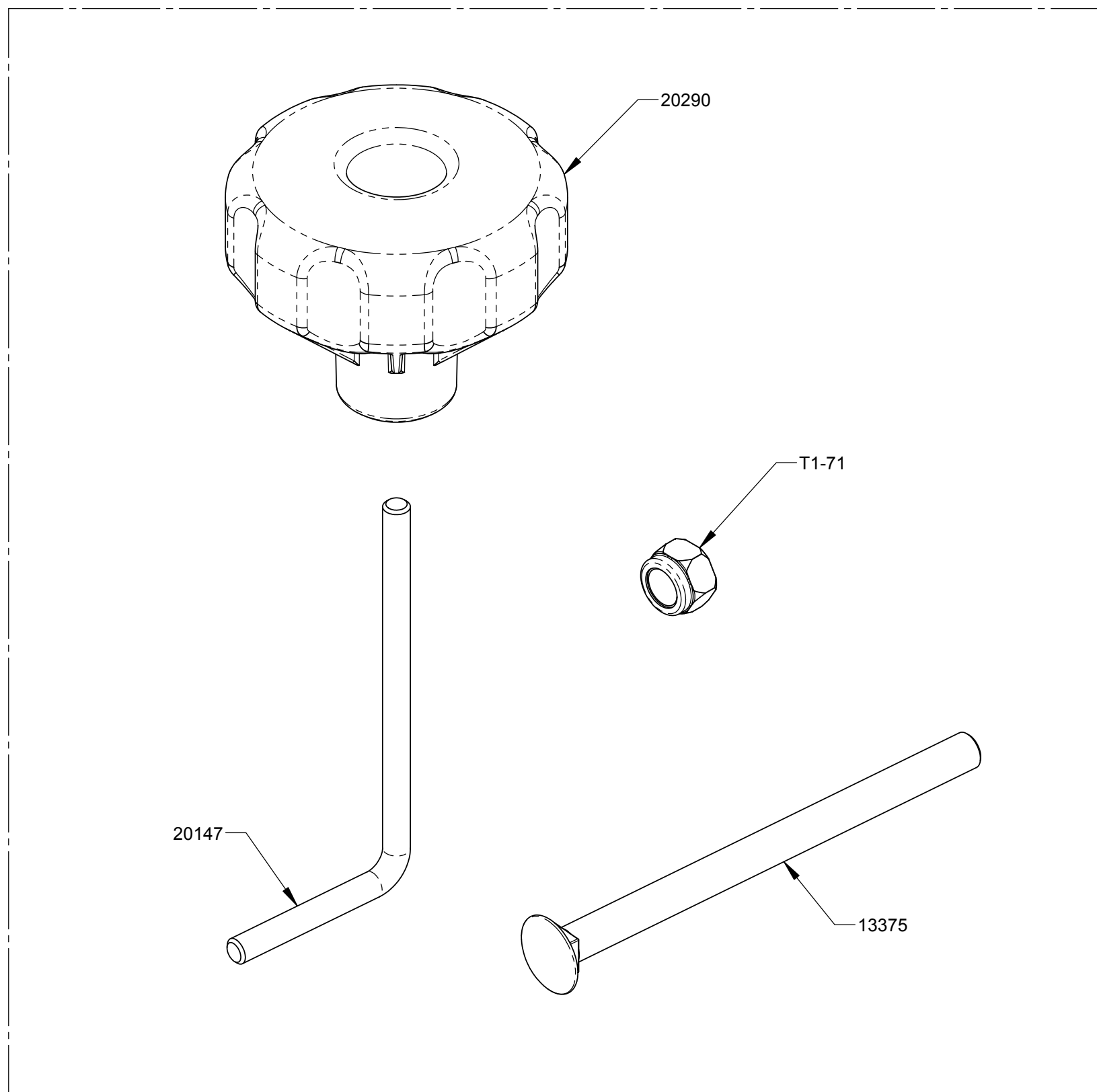


SARIS CYCLING GROUP
5253 VERONA RD., MADISON WI 53711
1-800-783-7257 / 1-808-274-6560
WWW.SARIS.COM WWW.CYCLEOPS.COM
WWW.POWERTAP.COM

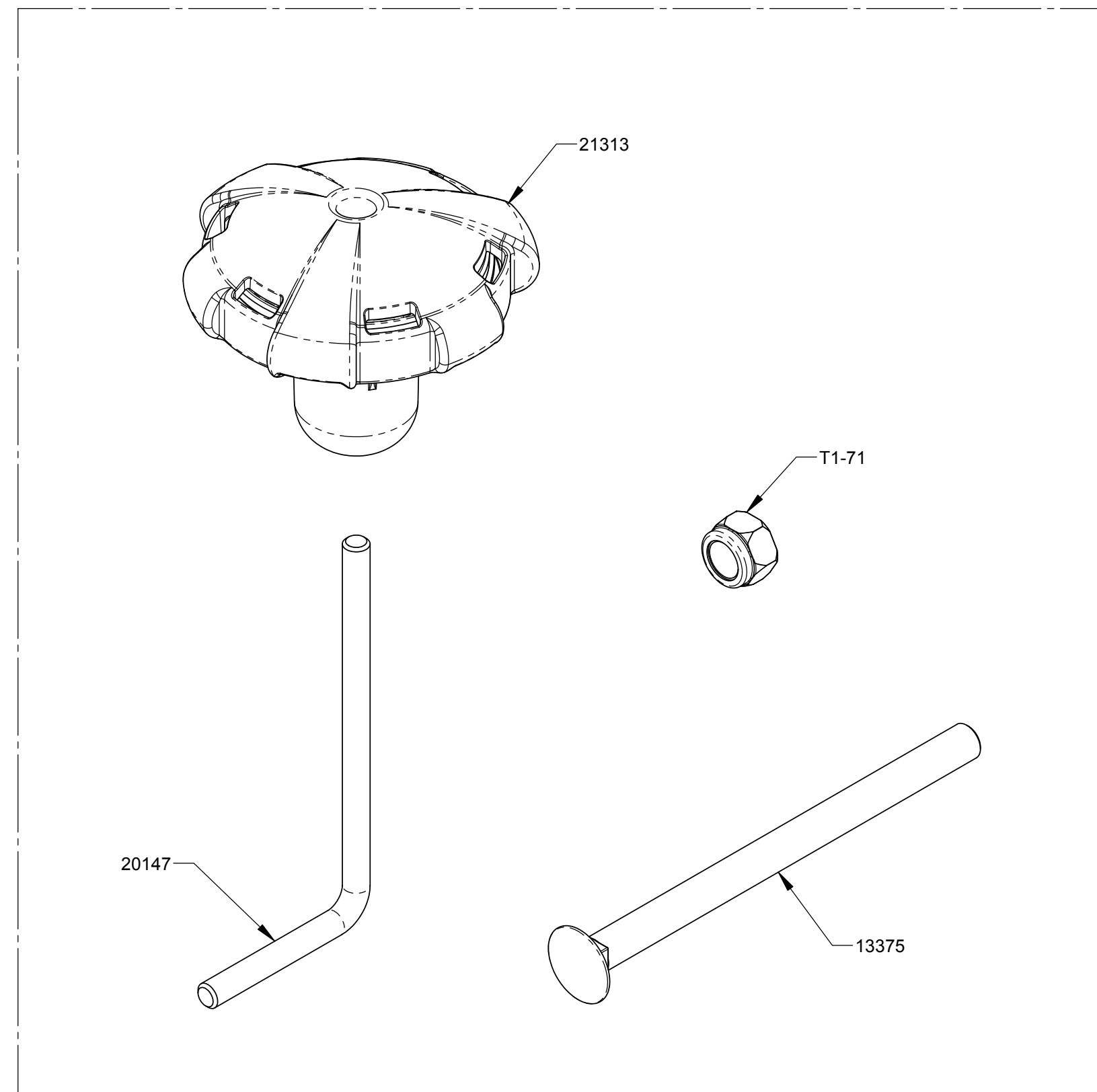


© SARIS CYCLING GROUP 2014
THE INFORMATION CONTAINED IN THIS DRAWING IS THE SOLE CONFIDENTIAL PROPERTY OF
SARIS CYCLING GROUP. ANY REPRODUCTION, IN PART OR WHOLE, WITHOUT
THE WRITTEN PERMISSION OF SARIS CYCLING GROUP IS PROHIBITED.

TITLE: CLASSIC SRS TRNR RES. UNITS



20987 - IP,CLASSIC RU HDWE/KNOB
INDIVIDUAL COMPONENTS AVAILABLE UPON REQUEST



22197 - IP,CLASSIC RU HDWE/RATCH KNOB
INDIVIDUAL COMPONENTS AVAILABLE UPON REQUEST