

Model# 9705

CycleOps



20"/ 24" WHEEL ADAPTER

Parts Included:

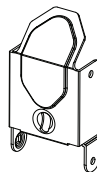
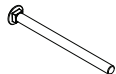
20290 Knob

20093 L-Bolt

19756 Bolt

T1-71 Nut

12654 Adapter Bracket



1. Detach the old L-Bolt from the knob* by unscrewing the knob counter clock-wise. Use a screwdriver to remove the knob screw from the knob nut, housed inside the knob.

*If your resistance unit has a cam lever, remove the small screw on the side of the cam lever to release the L-Bolt from the L-Bolt Nut.

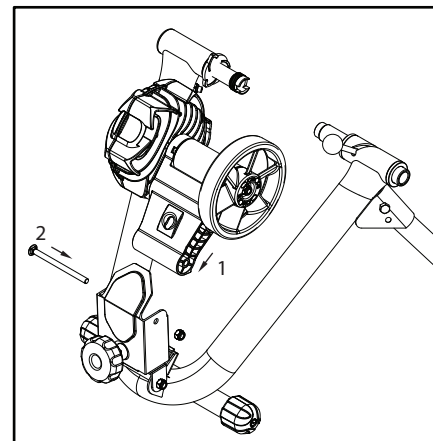
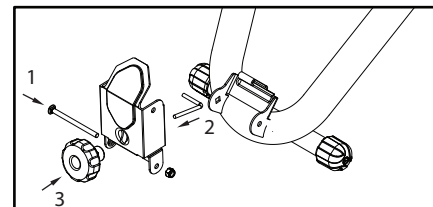
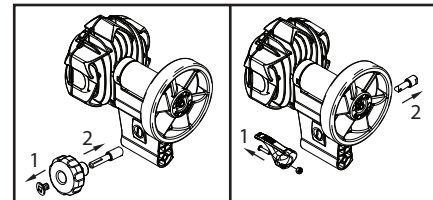
2. Remove the carriage bolt and nut from the frame.

3. Mount the adapter bracket to the frame using the included bolt and nut. Secure nut with a wrench.

4. Insert the new L-Bolt into the frame bracket and thread it into the new knob through the hole in the adapter.

5. Insert the resistance unit into the adapter bracket using the original carriage bolt and nut. Secure nut with a wrench.

6. Attach the bicycle into the trainer and tighten the knob until the roller is compressing the tire adequately.



1.800.783.7257
www.cycleops.com
21077B 10/12

Saris Cycling Group
5253 Verona Road
Madison, WI 53711

